

**Fax Option (B404)**

## Fax Option (B404)

### PARTS CATALOG

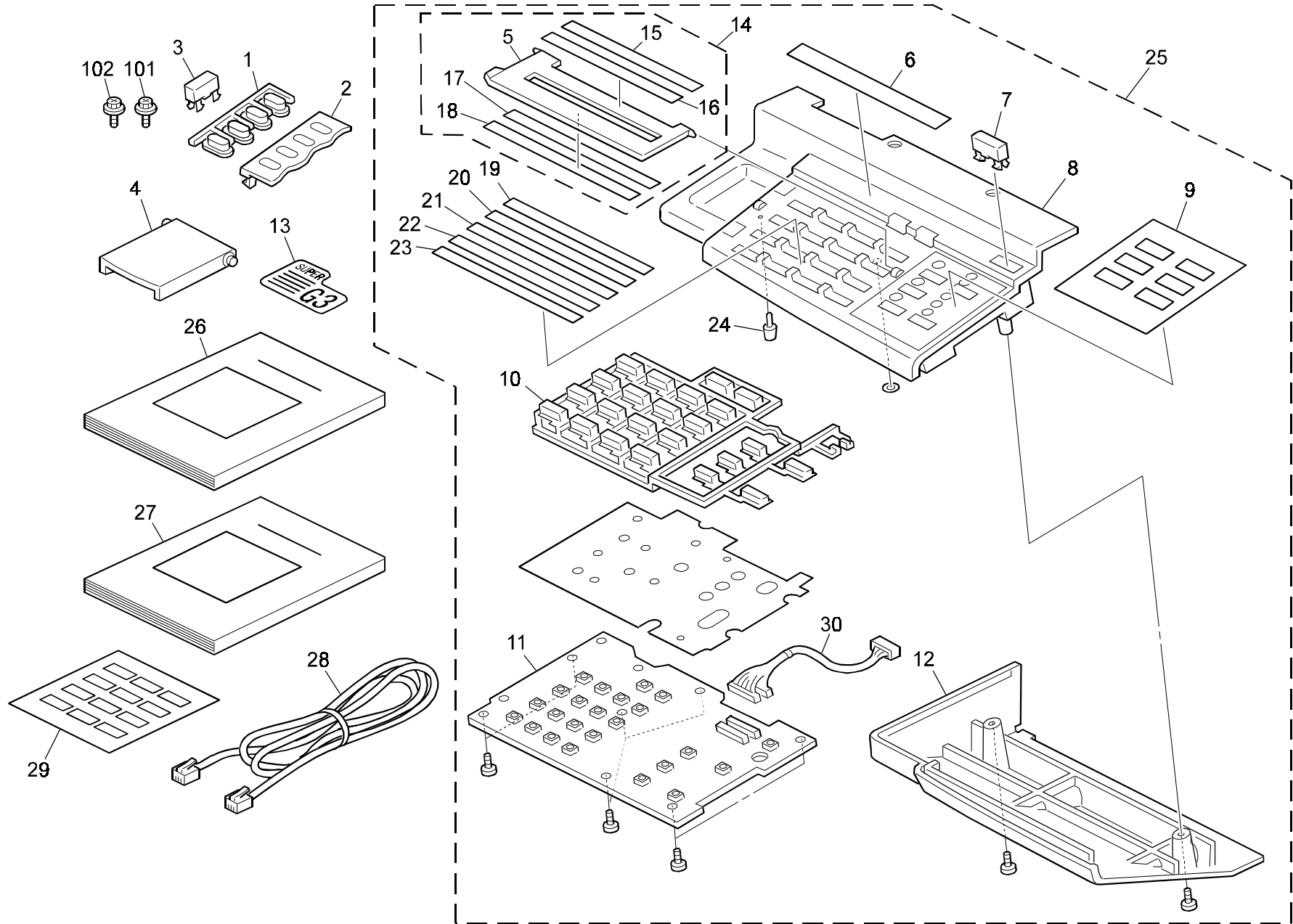
This catalog gives the numbers and names of parts on this machine.

### CONTENTS

|                             |           |
|-----------------------------|-----------|
| 1.Fax option 1 (B404).....  | 2         |
| 2.Fax option 2 (B404).....  | 4         |
| 3.FCU Board (B404) .....    | 6         |
| 4.NCU Board NA (B404) ..... | 12        |
| 5.NCU Board EU (B404) ..... | 14        |
| <b>PARTS INDEX .....</b>    | <b>17</b> |

February ,28 ' 2001

# 1.Fax option 1 (B404)

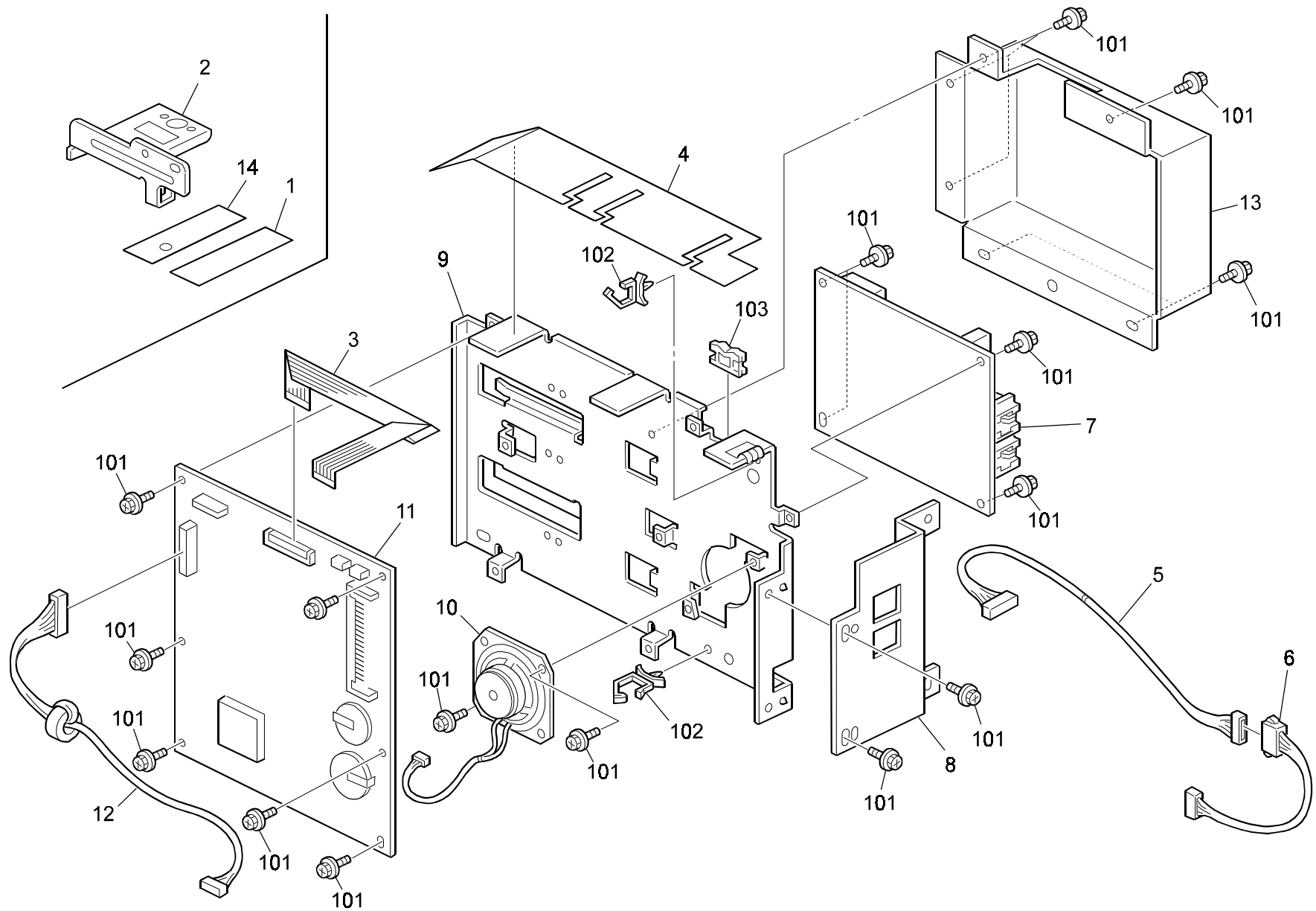


### 1.Fax option 1 (B404)





| Index No. | Part No.  | Description                              | Q'ty Per Assembly |
|-----------|-----------|--|-------------------|
| 1         | B404 1472 | Right Switch                             | 1                 |
| 2         | B404 1471 | Switch Cover (NA/Asia)                   | 1                 |
| 2         | B404 1482 | Switch Cover (EU)                        | 1                 |
| 3         | B404 1473 | Copy Key (NA/Asia)                       | 1                 |
| 3         | B404 1483 | Copy Key (EU)                            | 1                 |
| 4         | B039 1362 | Main Switch Cover                        | 1                 |
| 5         | B404 1468 | Quick Dial Plate                         | 1                 |
| 6         | B404 1455 | Sheet Fax                                | 1                 |
| 7         | B404 1454 | Fax Key (NA/Asia)                        | 1                 |
| 7         | B404 1480 | Fax Key (EU)                             | 1                 |
| 8         | B404 1451 | Case Fax                                 | 1                 |
| 9         | B404 1456 | Sheet Function                           | 1                 |
| 10        | B404 1453 | Keypop                                   | 1                 |
| 11        | B404 1469 | Operation Panel Board                    | 1                 |
| 12        | B404 1452 | Lower Cover                              | 1                 |
| 13        | B404 3861 | SG3 Decal                                | 1                 |
| 14        | B404 1458 | Quick Dial Plate Ass'y                   | 1                 |
| 15        | B404 1461 | Decal Dial 09-12                         | 1                 |
| 16        | B404 1462 | Decal Dial 13-16                         | 1                 |
| 17        | B404 1464 | Decal Dial 21-24                         | 1                 |
| 18        | B404 1463 | Decal Dial 17-20                         | 1                 |
| 19        | B404 1459 | Decal Dial 01-04                         | 1                 |
| 20        | B404 1460 | Decal Dial 05-08                         | 1                 |
| 21        | B404 1465 | Decal Dial 25-28                         | 1                 |
| 22        | B404 1466 | Decal Dial 29-32                         | 1                 |
| 23        | B404 1467 | Decal Dial Lower                         | 1                 |
| 24        | B404 1457 | Pin                                      | 1                 |
| 25        | B404 1421 | Operation Panel (NA/Asia)                | 1                 |
| 25        | B404 1422 | Operation Panel (EU)                     | 1                 |
| 26        | B404 8607 | Operation Manual (NA)                    | 1                 |
| 26        | B404 8608 | Operation Manual (Asia)                  | 1                 |
| 27        | B404 8657 | Operating Instructions - Advanced (NA)   | 1                 |
| 27        | B404 8658 | Operating Instructions - Advanced (Asia) | 1                 |
| 28        | H523 5350 | Telephone Cable                          | 1                 |
| 29        | B404 1476 | User Function Key Decal                  | 1                 |

| Index No. | Part No.   | Description             | Q'ty Per Assembly |
|-----------|------------|-------------------------|-------------------|
| 30        | B404 1474  | Operation Panel Harness | 1                 |
| 101       | 0451 3008H | Tapping Screw - M3x8    |                   |
| 102       | 0451 3006B | Tapping Screw - M3x6    |                   |

## 2.Fax option 2 (B404)



## 2.Fax option 2 (B404)

| Index No.   | Part No.     | Description             | Q'ty Per Assembly |
|---|--------------|-------------------------|-------------------|
|  | 1 B404 5862  | Right Flat Cable Plate  | 1                 |
|   | 2 B404 5821  | Handset Bracket         | 1                 |
|   | 3 B404 5270  | FCU-BICU Harness        | 1                 |
|  | 4 B404 5874  | Flat Cable Bracket      | 1                 |
|   | 5 B404 5273  | FCU-PSU Harness         | 1                 |
|   | 6 B404 5274  | Relay Harness           | 1                 |
|   | 7 B404 5182  | NCU Board - NA          | 1                 |
|  | 7 B404 5184  | NCU Board (EU)          | 1                 |
|   | 8 B404 5867  | FCU Guide Plate Bracket | 1                 |
|   | 9 B404 5861  | FCU Bracket             | 1                 |
|   | 10 B404 5070 | Speaker                 | 1                 |
|   | 11 B404 5162 | FCU Board (NA)          | 1                 |
|   | 11 B404 5164 | FCU Board (EU)          | 1                 |
|  | 11 B404 5166 | FCU Board (Asia)        | 1                 |
|   | 12 B404 5271 | FCU-NCU Harness         | 1                 |
|   | 13 B404 5872 | NCU Cover (EU)          | 1                 |
|   | 14 B404 5863 | Upper Flat Cable Plate  | 1                 |

| Index No. | Part No.   | Description          | Q'ty Per Assembly |
|-----------|------------|----------------------|-------------------|
| 101       | 0451 3006B | Tapping Screw - M3x6 |                   |
| 102       | 1105 0046  | Harness Band         |                   |
| 103       | 1105 0243  | Wire Saddle          |                   |

### 3.FCU Board (B404)

#### BATTERY

| SYMBOL NO. | INDEX NO. |
|------------|-----------|
| BAT1       | 110       |
| BAT2       | 109       |

#### CAPACITOR

| SYMBOL NO. | INDEX NO. |
|------------|-----------|
| C1         | 228       |
| C7         | 213       |
| C8         | 213       |
| C9         | 228       |
| C10        | 212       |
| C11        | 207       |
| C12        | 210       |
| C13        | 142       |
| C14        | 227       |
| C15        | 228       |

| SYMBOL NO. | INDEX NO. |
|------------|-----------|
| C17        | 222       |
| C18        | 208       |
| C19        | 228       |
| C21        | 211       |
| C22        | 152       |
| C23        | 149       |
| C29        | 219       |
| C30        | 228       |
| C31        | 228       |
| C33        | 228       |

| SYMBOL NO. | INDEX NO. |
|------------|-----------|
| C34        | 228       |
| C36        | 214       |
| C37        | 228       |
| C38        | 228       |
| C39        | 216       |
| C40        | 228       |
| C41        | 228       |
| C43        | 143       |
| C44        | 228       |
| C45        | 228       |

| SYMBOL NO. | INDEX NO. |
|------------|-----------|
| C46        | 143       |
| C57        | 215       |
| C58        | 217       |
| C59        | 228       |
| C61        | 228       |
| C63        | 228       |
| C64        | 228       |
| C65        | 207       |
| C66        | 228       |
| C67        | 143       |

| SYMBOL NO. | INDEX NO. |
|------------|-----------|
| C68        | 228       |
| C69        | 228       |
| C70        | 228       |
| C71        | 228       |
| C72        | 228       |
| C73        | 207       |
| C74        | 207       |
| C75        | 207       |
| C76        | 228       |
| C77        | 228       |

| SYMBOL NO. | INDEX NO. |
|------------|-----------|
| C78        | 209       |
| C79        | 207       |
| C80        | 148       |
| C81        | 228       |
| C82        | 148       |
| C83        | 154       |
| C84        | 228       |
| C85        | 228       |
| C86        | 228       |
| C89        | 228       |



#### CAPACITOR

| SYMBOL NO. | INDEX NO. |
|------------|-----------|
| C90        | 228       |
| C91        | 228       |
| C92        | 226       |
| C93        | 218       |
| C94        | 228       |
| C95        | 228       |
| C96        | 228       |
| C97        | 228       |
| C98        | 228       |
| C99        | 224       |

| SYMBOL NO. | INDEX NO. |
|------------|-----------|
| C100       | 228       |
| C101       | 228       |
| C102       | 214       |
| C103       | 228       |
| C104       | 147       |
| C105       | 228       |
| C106       | 228       |
| C107       | 147       |
| C108       | 228       |
| C109       | 228       |

| SYMBOL NO. | INDEX NO. |
|------------|-----------|
| C110       | 221       |
| C111       | 221       |
| C112       | 228       |
| C113       | 228       |
| C114       | 221       |
| C115       | 228       |
| C116       | 228       |
| C117       | 216       |
| C118       | 146       |
| C119       | 147       |

| SYMBOL NO. | INDEX NO. |
|------------|-----------|
| C120       | 225       |
| C121       | 228       |
| C122       | 219       |
| C123       | 223       |
| C124       | 228       |
| C125       | 228       |
| C126       | 221       |
| C127       | 147       |
| C131       | 153       |
| C132       | 153       |

| SYMBOL NO. | INDEX NO. |
|------------|-----------|
| C133       | 153       |
| C134       | 228       |
| C135       | 153       |
| C136       | 228       |
| C137       | 153       |
| C138       | 228       |
| C139       | 145       |
| C140       | 228       |
| C141       | 214       |
| C142       | 228       |

| SYMBOL NO. | INDEX NO. |
|------------|-----------|
| C143       | 214       |
| C144       | 145       |
| C145       | 147       |
| C146       | 145       |
| C147       | 145       |
| C148       | 228       |
| C149       | 214       |
| C150       | 214       |
| C151       | 228       |
| C152       | 145       |

| SYMBOL NO. | INDEX NO. |
|------------|-----------|
| C154       | 228       |
| C161       | 147       |
| C162       | 226       |
| C163       | 226       |
| C164       | 226       |
| C165       | 214       |
| C166       | 144       |
| C167       | 144       |
| C170       | 228       |
| C171       | 221       |

### 3.FCU Board (B404)

#### CAPACITOR

| SYMBOL NO. | INDEX NO. |
|------------|-----------|
| C173       | 228       |
| C177       | 150       |
| C178       | 150       |
| C179       | 153       |
| C180       | 214       |
| C181       | 220       |
| C182       | 220       |
| C183       | 220       |
| C184       | 214       |
| C185       | 221       |

| SYMBOL NO. | INDEX NO. |
|------------|-----------|
| C186       | 221       |
| C187       | 220       |
| C188       | 228       |
| C189       | 221       |
| C190       | 228       |
| C191       | 151       |
| C192       | 221       |
| C193       | 221       |
| C194       | 220       |
| C195       | 220       |

| SYMBOL NO. | INDEX NO. |
|------------|-----------|
| C196       | 221       |
| C197       | 220       |
| C198       | 220       |
| C199       | 220       |
| C200       | 214       |
| C201       | 214       |
| C202       | 214       |
| C203       | 228       |
| C208       | 220       |
| C209       | 220       |

| SYMBOL NO. | INDEX NO. |
|------------|-----------|
| C210       | 220       |
| C211       | 220       |
| C212       | 220       |
| C213       | 220       |
| C214       | 220       |
| C215       | 220       |

#### CA

| SYMBOL NO. | INDEX NO. |
|------------|-----------|
| CA1        | 155       |
| CA2        | 155       |
| CA3        | 155       |

#### CONNECTOR

| SYMBOL NO. | INDEX NO. |
|------------|-----------|
| CN600      | 104       |
| CN601      | 106       |
| CN610      | 105       |
| CN620      | 103       |

#### DIODE

| SYMBOL NO. | INDEX NO. |
|------------|-----------|
| D1         | 117       |
| D2         | 117       |
| D3         | 118       |
| D4         | 118       |
| ---        | ---       |
| D6         | 118       |
| D7         | 117       |
| D8         | 115       |
| D9         | 120       |
| D10        | 120       |

#### DIODE

| SYMBOL NO. | INDEX NO. |
|------------|-----------|
| D11        | 117       |
| D12        | 116       |

#### IC

| SYMBOL NO. | INDEX NO. |
|------------|-----------|
| IC2        | 127       |
| IC3        | 126       |
| IC4        | 132       |
| IC5        | 130       |
| IC6        | 1         |
| IC11       | 134       |
| IC13       | 129       |
| IC17       | 124       |
| IC19       | 231       |
| IC21       | 2         |

| SYMBOL NO. | INDEX NO. |
|------------|-----------|
| IC22       | 131       |
| IC23       | 230       |
| IC24       | 128       |
| IC25       | 128       |
| IC26       | 229       |
| IC27       | 129       |
| IC28       | 124       |
| IC29       | 129       |
| IC30       | 129       |
| IC31       | 129       |

| SYMBOL NO. | INDEX NO. |
|------------|-----------|
| IC32       | 129       |
| IC33       | 129       |
| IC34       | 232       |
| IC35       | 127       |
| IC36       | 127       |
| IC37       | 125       |

#### JP

| SYMBOL NO. | INDEX NO. |
|------------|-----------|
| JP3        | 171       |
| JP5        | 171       |
| JP6        | 171       |
| JP8        | 171       |
| JP10       | 173       |
| JP12       | 171       |
| JP14       | 171       |
| JP16       | 171       |
| JP17       | 171       |
| JP18       | 171       |

| SYMBOL NO. | INDEX NO. |
|------------|-----------|
| JP19       | 171       |
| JP20       | 173       |
| JP21       | 173       |
| JP22       | 173       |
| JP23       | 173       |
| JP25       | 171       |
| JP27       | 171       |
| JP28       | 173       |
| JP29       | 173       |
| JP30       | 171       |

| SYMBOL NO. | INDEX NO. |
|------------|-----------|
| JP32       | 173       |
| JP33       | 173       |
| JP34       | 173       |
| JP36       | 173       |

#### FILTER

| SYMBOL NO. | INDEX NO. |
|------------|-----------|
| FIL1       | 156       |
| FIL3       | 158       |



### 3.FCU Board (B404)

L

| SYMBOL NO. | INDEX NO. |
|------------|-----------|
| L2         | 159       |
| L3         | 157       |
| L4         | 157       |

LED

| SYMBOL NO. | INDEX NO. |
|------------|-----------|
| LED1       | 123       |
| LED2       | 122       |

OSC

| SYMBOL NO. | INDEX NO. |
|------------|-----------|
| OSC1       | 135       |
| OSC3       | 136       |

Q

| SYMBOL NO. | INDEX NO. |
|------------|-----------|
| Q1         | 113       |
| Q2         | 111       |
| Q3         | 111       |
| Q4         | 114       |
| Q5         | 112       |

RESISTOR



| SYMBOL NO. | INDEX NO. |
|------------|-----------|
| R1         | 176       |
| R2         | 177       |
| R3         | 166       |
| R4         | 166       |
| R5         | 166       |
| R6         | 166       |
| R7         | 176       |
| R8         | 176       |
| R9         | 176       |
| R14        | 191       |

| SYMBOL NO. | INDEX NO. |
|------------|-----------|
| R15        | 191       |
| R16        | 203       |
| R17        | 201       |
| R18        | 195       |
| R19        | 185       |
| R20        | 195       |
| R29        | 170       |
| R30        | 166       |
| R31        | 166       |
| R32        | 170       |

| SYMBOL NO. | INDEX NO. |
|------------|-----------|
| R33        | 163       |
| R34        | 164       |
| R35        | 205       |
| R45        | 166       |
| R46        | 166       |
| R47        | 176       |
| R48        | 166       |
| R49        | 166       |
| R51        | 176       |
| R54        | 176       |

| SYMBOL NO. | INDEX NO. |
|------------|-----------|
| R55        | 176       |
| R56        | 176       |
| R58        | 170       |
| R59        | 170       |
| R60        | 166       |
| R61        | 170       |
| R62        | 166       |
| R64        | 201       |
| R65        | 182       |
| R66        | 205       |

RESISTOR

| SYMBOL NO. | INDEX NO. |
|------------|-----------|
| R67        | 176       |
| R68        | 190       |
| R69        | 176       |
| R75        | 198       |
| R76        | 168       |
| R77        | 168       |
| R78        | 172       |
| R79        | 172       |
| R81        | 169       |
| R82        | 186       |

| SYMBOL NO. | INDEX NO. |
|------------|-----------|
| R83        | 177       |
| R84        | 186       |
| R85        | 177       |
| R86        | 176       |
| R88        | 162       |
| R89        | 162       |
| R90        | 176       |
| R91        | 163       |
| R92        | 183       |
| R93        | 166       |

| SYMBOL NO. | INDEX NO. |
|------------|-----------|
| R94        | 166       |
| R95        | 176       |
| R96        | 176       |
| R97        | 166       |
| R98        | 166       |
| R100       | 176       |
| R101       | 196       |
| R102       | 178       |
| R103       | 183       |
| R104       | 177       |

| SYMBOL NO. | INDEX NO. |
|------------|-----------|
| R105       | 183       |
| R106       | 160       |
| R107       | 186       |
| R108       | 177       |
| R109       | 17        |
| R110       | 196       |
| R111       | 196       |
| R112       | 176       |
| R113       | 176       |
| R114       | 192       |

| SYMBOL NO. | INDEX NO. |
|------------|-----------|
| R115       | 204       |
| R116       | 176       |
| R117       | 192       |
| R118       | 176       |
| R119       | 204       |
| R122       | 193       |
| R123       | 185       |
| R124       | 193       |
| R125       | 185       |
| R126       | 202       |

| SYMBOL NO. | INDEX NO. |
|------------|-----------|
| R127       | 202       |
| R128       | 202       |
| R129       | 197       |
| R130       | 200       |
| R131       | 179       |
| R132       | 185       |
| R133       | 177       |
| R134       | 188       |
| R135       | 183       |
| R138       | 194       |

| SYMBOL NO. | INDEX NO. |
|------------|-----------|
| R140       | 194       |
| R141       | 188       |
| R142       | 187       |
| R143       | 181       |
| R144       | 199       |
| R145       | 206       |
| R146       | 176       |
| R147       | 176       |
| R148       | 176       |
| R149       | 176       |

### 3.FCU Board (B404)

#### RESISTOR

| SYMBOL NO. | INDEX NO. |
|------------|-----------|
| R154       | 177       |
| R156       | 176       |
| R163       | 180       |
| R165       | 166       |
| R170       | 174       |
| R171       | 184       |
| R172       | 161       |
| R176       | 165       |
| R177       | 176       |
| R178       | 165       |

| SYMBOL NO. | INDEX NO. |
|------------|-----------|
| R179       | 176       |
| R180       | 167       |
| R181       | 167       |
| R182       | 167       |
| R183       | 165       |
| R184       | 176       |
| R185       | 165       |
| R186       | 165       |
| R187       | 165       |
| R188       | 165       |

| SYMBOL NO. | INDEX NO. |
|------------|-----------|
| R189       | 165       |
| R190       | 176       |
| R191       | 165       |
| R192       | 165       |
| R193       | 165       |
| R194       | 165       |
| R195       | 165       |
| R196       | 176       |
| R197       | 176       |
| R198       | 176       |

| SYMBOL NO. | INDEX NO. |
|------------|-----------|
| R199       | 176       |
| R200       | 176       |
| R201       | 166       |
| R202       | 176       |
| R203       | 176       |
| R204       | 176       |
| R205       | 176       |
| R206       | 176       |
| R207       | 166       |
| R208       | 166       |

| SYMBOL NO. | INDEX NO. |
|------------|-----------|
| R209       | 175       |
| R210       | 189       |
| R211       | 197       |
| R212       | 176       |
| R213       | 176       |
| R214       | 177       |
| R231       | 176       |
| R234       | 177       |
| R235       | 177       |
| R236       | 180       |

| SYMBOL NO. | INDEX NO. |
|------------|-----------|
| R237       | 166       |
| R238       | 166       |
| R242       | 166       |
| R243       | 166       |

#### REG

| SYMBOL NO. | INDEX NO. |
|------------|-----------|
| REG1       | 133       |

#### RN



| SYMBOL NO. | INDEX NO. |
|------------|-----------|
| RN1        | 137       |
| RN2        | 140       |
| RN3        | 139       |
| RN4        | 139       |
| RN5        | 139       |
| RN6        | 139       |
| RN7        | 139       |
| RN8        | 139       |
| RN9        | 139       |
| RN10       | 139       |

#### RN

| SYMBOL NO. | INDEX NO. |
|------------|-----------|
| RN11       | 139       |
| RN12       | 139       |
| RN13       | 139       |
| RN15       | 139       |
| RN16       | 139       |
| RN17       | 139       |
| RN18       | 139       |
| RN19       | 139       |
| RN29       | 137       |
| RN30       | 137       |

| SYMBOL NO. | INDEX NO. |
|------------|-----------|
| RN31       | 137       |
| RN32       | 137       |
| RN33       | 137       |
| RN34       | 137       |
| RN35       | 137       |
| ---        | ---       |
| RN37       | 139       |
| RN38       | 137       |
| RN39       | 139       |
| RN40       | 141       |

| SYMBOL NO. | INDEX NO. |
|------------|-----------|
| RN41       | 141       |
| RN42       | 137       |
| ---        | ---       |
| RN44       | 139       |
| RN45       | 137       |
| RN46       | 137       |
| RN47       | 137       |
| ---        | ---       |
| RN49       | 139       |
| RN50       | 138       |

| SYMBOL NO. | INDEX NO. |
|------------|-----------|
| RN51       | 138       |
| RN52       | 138       |
| RN53       | 139       |
| RN54       | 139       |
| ---        | ---       |
| RN56       | 139       |

#### SWITCH

| SYMBOL NO. | INDEX NO. |
|------------|-----------|
| SW1        | 108       |



#### TB

| SYMBOL NO. | INDEX NO. |
|------------|-----------|
| TB1        | 101       |
| (Socket)   | 107       |
| TB3        | 102       |
| (Socket)   | 107       |

#### ZD

| SYMBOL NO. | INDEX NO. |
|------------|-----------|
| ZD3        | 119       |
| ZD4        | 121       |

### 3.FCU Board (B404)

| Index No. | Part No.  | Description         | Q'ty Per Assembly |
|-----------|-----------|---------------------|-------------------|
| *         | B404 5162 | FCU Board (NA)      | 1                 |
| *         | B404 5164 | FCU Board (EU)      | 1                 |
| *         | B404 5166 | FCU Board (Asia)    | 1                 |
| 1         | B028 5510 | Face2               | 1                 |
| 2         | H547 7135 | V.34 Modem R288f-27 | 1                 |

| Index No. | Part No.  | Description                      | Q'ty Per Assembly |
|-----------|-----------|----------------------------------|-------------------|
| 101       | 1102 5943 | Connector - 2P                   |                   |
| 102       | 1102 5944 | Connector - 3P                   |                   |
| 103       | 1102 6114 | Connector - 2P                   |                   |
| 104       | 1102 7460 | Connector - FH12-50S-0.5SH       |                   |
| 105       | 1102 8060 | Connector- 1-353520-3            |                   |
| 106       | 1102 8079 | Connector - 176125-7             |                   |
| 107       | 1104 0683 | Socket - IMSA-9206H-GF           |                   |
| 108       | 1204 2373 | Key Bord Switch - SKQDPA         |                   |
| 109       | 1206 0082 | Lithium Cell - CR2450-HJ3        |                   |
| 110       | 1206 0084 | Lithium Cell - VL2330/1HF        |                   |
| 111       | 1400 0398 | Transistor - 2SC2412K            |                   |
| 112       | 1400 0637 | Transistor - DTC144EUA           |                   |
| 113       | 1400 0680 | Transistor - 2SA1813             |                   |
| 114       | 1400 0752 | Transistor - FMY6                |                   |
| 115       | 1402 0804 | Silicon Diode - 45V - 0.3A       |                   |
| 116       | 1402 1058 | Diode Array - DA114              |                   |
| 117       | 1402 1336 | Diode - 1SS355                   |                   |
| 118       | 1402 1343 | Diode - RB106L-40                |                   |
| 119       | 1402 1345 | Diode - UDZ3.6B                  |                   |
| 120       | 1402 1365 | Diode - RB751V-40                |                   |
| 121       | 1402 1499 | Diode UDZS5.1B                   |                   |
| 122       | 1403 0953 | LED - SML-310MT                  |                   |
| 123       | 1403 0996 | LED - SML-310VT                  |                   |
| 124       | 1407 1878 | IC - TC4053BF                    |                   |
| 125       | 1407 4651 | IC - TC7S04FU                    |                   |
| 126       | 1407 4804 | IC - TC7SH08FU                   |                   |
| 127       | 1407 5353 | IC - SN74LV244APW                |                   |
| 128       | 1407 5368 | IC - 74LVC245A TSSOP             |                   |
| 129       | 1408 0942 | IC - BA4558F                     |                   |
| 130       | 1408 1105 | IC - RH5VL28C                    |                   |
| 131       | 1408 1333 | IC - BA6162F                     |                   |
| 132       | 1408 1416 | IC - RH5RI331B                   |                   |
| 133       | 1408 1448 | Regulator - PQ3DZ13              |                   |
| 134       | 1408 1450 | Operational Amplifier - NJM4560M |                   |
| 135       | 1503 0758 | Oscillator - MC-306 32.768MHZ    |                   |

| Index No. | Part No.  | Description                                     | Q'ty Per Assembly |
|-----------|-----------|---|-------------------|
| 136       | 1503 0906 | Crystal Oscillator - 28.224Mhz                  |                   |
| 137       | 1601 7752 | Resistor Array - 10K $\Omega$ $\pm$ 5%          |                   |
| 138       | 1601 7753 | Resistor - 47 $\Omega$ $\pm$ 5%                 |                   |
| 139       | 1601 7867 | Resistor - 33 $\Omega$ $\pm$ 5% 1/16W           |                   |
| 140       | 1601 7871 | Resistor - 68 $\Omega$ $\pm$ 5% 1/16W           |                   |
| 141       | 1601 7885 | Resistor - 2.7K $\Omega$ $\pm$ 5% 1/16W         |                   |
| 142       | 1604 2601 | Capacitor - 47 $\mu$ F $\pm$ 20% 25V            |                   |
| 143       | 1604 4335 | Capacitor - 220 $\mu$ F $\pm$ 20% 10V           |                   |
| 144       | 1605 0837 | Capacitor - 30pF $\pm$ 5% 50V                   |                   |
| 145       | 1605 1122 | Capacitor - 1Uf +80 -20% 10V                    |                   |
| 146       | 1605 1136 | Ceramic Capacitor - 33000pF $\pm$ 10% 25V       |                   |
| 147       | 1605 1152 | Ceramic Capacitor - 1000pF $\pm$ 5% 50V         |                   |
| 148       | 1605 1162 | Capacitor - 10 $\mu$ F+80 -20% 10V              |                   |
| 149       | 1605 1164 | Ceramic Capacitor - 0.1 $\mu$ F $\pm$ 10% 16V   |                   |
| 150       | 1605 1167 | Ceramic Capacitor - 0.22 $\mu$ F $\pm$ 10% 10V  |                   |
| 151       | 1605 1176 | Ceramic Capacitor - 0.47 $\mu$ F+80 -20% 16V    |                   |
| 152       | 1605 1187 | Ceramic Capacitor - 0.047 $\mu$ F $\pm$ 10% 50V |                   |
| 153       | 1605 1190 | Ceramic Capacitor - 0.022 $\mu$ F $\pm$ 10% 50V |                   |
| 154       | 1605 1224 | Ceramic Capacitor - 4.7 $\mu$ F $\pm$ 10% 6.3V  |                   |
| 155       | 1606 8042 | Resistor Array - CKCA43CH1H470K                 |                   |
| 156       | 1607 0732 | Noise Filter - ACF321825-470                    |                   |
| 157       | 1607 0917 | Inductor - LK2125 8R2K                          |                   |
| 158       | 1607 0949 | Filter - ACB2012M-040                           |                   |
| 159       | 1607 1196 | Inductor 220uh $\pm$ 20% 0.33a                  |                   |
| 160       | 1630 1681 | Resistor - 680 $\Omega$ $\pm$ 5%                |                   |
| 161       | 1630 3109 | Resistor - 1 $\Omega$ $\pm$ 5% 1/10W            |                   |
| 162       | 1630 3309 | Resistor - 3 $\Omega$ $\pm$ 5% 1/10W 2125       |                   |
| 163       | 1630 4102 | Resistor - 1.0K $\Omega$ $\pm$ 5% 1/16W         |                   |
| 164       | 1630 4105 | Resistor - 1.0M $\Omega$ $\pm$ 5% 1/16W         |                   |
| 165       | 1630 4272 | Resistor - 2.7k $\Omega$ - $\pm$ 5% - 1/16W     |                   |
| 166       | 1630 4330 | Resistor - 33 $\Omega$ $\pm$ 5% 1/8W            |                   |
| 167       | 1630 4470 | Resistor - 470 $\Omega$ $\pm$ 5% 1/16W          |                   |
| 168       | 1630 4471 | Resistor - 470 $\Omega$ $\pm$ 5% 1/16W          |                   |
| 169       | 1630 4562 | Resistor - 5.6k $\Omega$ - $\pm$ 5% - 1/16W     |                   |
| 170       | 1630 4680 | Resistor - 68 $\Omega$ $\pm$ 5% 1/16W           |                   |

| Index No. | Part No.  | Description                                   | Q'ty Per Assembly |
|-----------|-----------|---|-------------------|
| 171       | 1633 0000 | Resistor - 0 $\Omega$ 1/10W                   |                   |
| 172       | 1633 1100 | Resistor - 110 $\Omega$ $\pm$ 1% 1/10W        |                   |
| 173       | 1634 0000 | Resistor - 0 $\Omega$ 1/16W                   |                   |
| 174       | 1634 1000 | Resistor - 100 $\Omega$ $\pm$ 1% 1/16W        |                   |
| 175       | 1634 1001 | Resistor - 1K $\Omega$ $\pm$ 5% 1/16W         |                   |
| 176       | 1634 1002 | Resistor - 10 $\Omega$ $\pm$ 5% 1/16W         |                   |
| 177       | 1634 1003 | Resistor - 100K $\Omega$ $\pm$ 1% 1/16W       |                   |
| 178       | 1634 1202 | Resistor - 12.0K $\Omega$ $\pm$ 1% 1/16W      |                   |
| 179       | 1634 1243 | Resistor - 124K $\Omega$ $\pm$ 1% 1/16W       |                   |
| 180       | 1634 1303 | Resistor - 130k $\Omega$ - $\pm$ 1% - 1/16W   |                   |
| 181       | 1634 1402 | Resistor - 14K $\Omega$ $\pm$ 1% 1/16W 1608   |                   |
| 182       | 1634 1543 | Resistor - 154k $\Omega$ $\pm$ 1% 1/16W       |                   |
| 183       | 1634 1803 | Resistor - 180K $\Omega$ $\pm$ 1% 1/16W       |                   |
| 184       | 1634 2001 | Resistor - 2.00K $\Omega$ $\pm$ 1% 1/16W      |                   |
| 185       | 1634 2002 | Resistor - 20K $\Omega$ $\pm$ 1% 1/16W        |                   |
| 186       | 1634 2202 | Resistor - 22K $\Omega$ $\pm$ 1% 1/16W        |                   |
| 187       | 1634 2263 | Resistor - 226K $\Omega$ $\pm$ 1% 1/16W 1608  |                   |
| 188       | 1634 2702 | Resistor - 27K $\Omega$ $\pm$ 1% 1/16W        |                   |
| 189       | 1634 3092 | Resistor - 30.9K $\Omega$ $\pm$ 1% 1/16W      |                   |
| 190       | 1634 3653 | Resistor - 365K $\Omega$ $\pm$ 1% 1/16W 1608  |                   |
| 191       | 1634 3900 | Resistor - 390 $\Omega$ $\pm$ 1% 1/16W        |                   |
| 192       | 1634 3902 | Resistor - 39.0k $\Omega$ - $\pm$ 1% - 1/16W  |                   |
| 193       | 1634 4022 | Resistor - 40.2K $\Omega$ $\pm$ 1% 1/16W      |                   |
| 194       | 1634 4122 | Resistor - 41.2k $\Omega$ $\pm$ 1% 1/16W      |                   |
| 195       | 1634 4222 | Chip Resistor - 42.2k $\Omega$ $\pm$ 1% 1/16W |                   |
| 196       | 1634 4701 | Resistor - 4.70 $\Omega$ $\pm$ 1% 1A16W       |                   |
| 197       | 1634 4702 | Resistor - 47.0k $\Omega$ $\pm$ 1% 1/16W      |                   |
| 198       | 1634 5600 | Resistor - 560 $\Omega$ $\pm$ 1% 1/16W        |                   |
| 199       | 1634 5903 | Resistor - 590K $\Omega$ $\pm$ 1% 1/16W 1608  |                   |
| 200       | 1634 6192 | Resistor - 61.9 $\Omega$ $\pm$ 1% 1/16W       |                   |
| 201       | 1634 6652 | Chip Resistor - 66.5k $\Omega$ $\pm$ 1% 1/16W |                   |
| 202       | 1634 7872 | Resistor - 78.7K $\Omega$ $\pm$ 1% 1/16W      |                   |
| 203       | 1634 8200 | Resistor - 820 $\Omega$ $\pm$ 1% 1/16W        |                   |
| 204       | 1634 8201 | Resistor - 8.2k $\Omega$ $\pm$ 1% 1/16W 1608  |                   |
| 205       | 1634 8202 | Resistor - 82.0K $\Omega$ $\pm$ 1% 1/16W      |                   |

| Index No. | Part No.  | Description                                   | Q'ty Per Assembly |
|-----------|-----------|---|-------------------|
| 206       | 1634 9761 | Resistor - 9.76K $\Omega$ $\pm$ 1% 1/16W 1608 |                   |
| 207       | 1644 0100 | Capacitor - 10 $\mu$ F $\pm$ 20% 10V          |                   |
| 208       | 1644 0470 | Capacitor - 47 $\mu$ F $\pm$ 20% 10V          |                   |
| 209       | 1644 2100 | Capacitor - 10 $\mu$ F $\pm$ 20% 25V          |                   |
| 210       | 1644 5100 | Capacitor - 10 $\mu$ F $\pm$ 20% 50V          |                   |
| 211       | 1644 5109 | Capacitor - 1mF $\pm$ 20% 50V                 |                   |
| 212       | 1644 6101 | Capacitor - 100 $\mu$ F $\pm$ 20% 6.3V        |                   |
| 213       | 1660 0100 | Capacitor - 10PF $\pm$ 0.5pF 50V              |                   |
| 214       | 1660 2101 | Capacitor - 100pF - $\pm$ 10% - 50V           |                   |
| 215       | 1660 2120 | Capacitor - 12 pF $\pm$ 5% 50V                |                   |
| 216       | 1660 2121 | Capacitor - 120pF $\pm$ 5% 50V                |                   |
| 217       | 1660 2150 | Capacitor - 15pF $\pm$ 5% 50V                 |                   |
| 218       | 1660 2181 | Capacitor- 180pF $\pm$ 5% 50v                 |                   |
| 219       | 1660 2391 | Capacitor - 390pF $\pm$ 5% 50V                |                   |
| 220       | 1660 2470 | Capacitor - 47pF $\pm$ 5% 50V                 |                   |
| 221       | 1660 2471 | Capacitor - 470pF - $\pm$ 5% - 50V            |                   |
| 222       | 1660 4103 | Capacitor - 10000pF 50V                       |                   |
| 223       | 1660 4152 | Capacitor - 1500pF $\pm$ 10% 50V              |                   |
| 224       | 1660 4332 | Capacitor - 3300pF - $\pm$ 10% - 50V          |                   |
| 225       | 1660 4472 | Capacitor - 4700pF $\pm$ 10% 50V              |                   |
| 226       | 1660 6103 | Capacitor - 10000pF - +80%-20%50V             |                   |
| 227       | 1660 6473 | Capacitor - 47000pF +80,-20% 50V              |                   |
| 228       | 1660 8104 | Capacitor - 0.1 $\mu$ F+80-20% 25V            |                   |
| 229       | 1902 0055 | SRAM 1m X8 70ns G15                           |                   |
| 230       | 1906 0016 | IC - LH28F160BJE-BTL70                        |                   |
| 231       | 1906 0027 | Flash Memory - LH28F800BVE-BV70               |                   |
| 232       | 1907 0016 | SDRAM 64M 1MX16X4 100Mhz G5                   |                   |

| Index No. | Part No. | Description | Q'ty Per Assembly |
|-----------|----------|-------------|-------------------|
|           |          |             |                   |
|           |          |             |                   |
|           |          |             |                   |
|           |          |             |                   |
|           |          |             |                   |
|           |          |             |                   |
|           |          |             |                   |
|           |          |             |                   |
|           |          |             |                   |
|           |          |             |                   |
|           |          |             |                   |
|           |          |             |                   |
|           |          |             |                   |
|           |          |             |                   |
|           |          |             |                   |
|           |          |             |                   |
|           |          |             |                   |
|           |          |             |                   |
|           |          |             |                   |
|           |          |             |                   |
|           |          |             |                   |
|           |          |             |                   |
|           |          |             |                   |

## 4.NCU Board NA (B404)

### ARRESTOR

| SYMBOL NO. | INDEX NO. |
|------------|-----------|
| A1         | 116       |

### CAPACITOR

| SYMBOL NO. | INDEX NO. |
|------------|-----------|
| C1         | 134       |
| C2         | 133       |
| C4         | 135       |
| C7         | 120       |
| C9         | 132       |
| C12        | 136       |

### CONNECTOR

| SYMBOL NO. | INDEX NO. |
|------------|-----------|
| CN1        | 102       |
| CN2        | 103       |
| CN3        | 103       |

### DB

| SYMBOL NO. | INDEX NO. |
|------------|-----------|
| DB1        | 117       |

### JP

| SYMBOL NO. | INDEX NO. |
|------------|-----------|
| JP1        | 101       |
| JP3        | 101       |
| JP4        | 101       |
| JP5        | 101       |
| JP7        | 101       |
| JP10       | 101       |
| JP12       | 101       |
| JP15       | 101       |
| JP18       | 101       |
| JP19       | 101       |

| SYMBOL NO. | INDEX NO. |
|------------|-----------|
| JP20       | 101       |
| JP24       | 101       |
| JP26       | 101       |
| JP27       | 101       |
| JP28       | 101       |
| JP32       | 101       |
| JP30       | 128       |

### L

| SYMBOL NO. | INDEX NO. |
|------------|-----------|
| L2         | 121       |

### DIODE

| SYMBOL NO. | INDEX NO. |
|------------|-----------|
| D1         | 108       |
| D2         | 108       |

### FILTER

| SYMBOL NO. | INDEX NO. |
|------------|-----------|
| FIL1       | 122       |
| FIL2       | 122       |

### PC

| SYMBOL NO. | INDEX NO. |
|------------|-----------|
| PC1        | 110       |
| PC2        | 112       |
| PC4        | 111       |

### Q

| SYMBOL NO. | INDEX NO. |
|------------|-----------|
| Q2         | 106       |
| Q3         | 105       |
| Q5         | 107       |

### RESISTOR

| SYMBOL NO. | INDEX NO. |
|------------|-----------|
| R2         | 101       |
| R4         | 101       |
| R5         | 119       |
| R6         | 118       |
| R7         | 123       |
| R8         | 130       |
| R10        | 128       |
| R11        | 127       |
| R14        | 124       |
| R15        | 131       |

### RELAY

| SYMBOL NO. | INDEX NO. |
|------------|-----------|
| R16        | 129       |
| R18        | 125       |
| R19        | 126       |

### RELAY

| SYMBOL NO. | INDEX NO. |
|------------|-----------|
| RY2        | 104       |

### T

| SYMBOL NO. | INDEX NO. |
|------------|-----------|
| T2         | 2         |

### VARISTOR

| SYMBOL NO. | INDEX NO. |
|------------|-----------|
| V1         | 113       |
| V2         | 115       |
| V4         | 114       |
| V7         | 114       |

### ZD

| SYMBOL NO. | INDEX NO. |
|------------|-----------|
| ZD1        | 109       |
| ZD2        | 109       |

#### 4.NCU Board NA (B404)

| Index No. | Part No.  | Description    | Q'ty Per Assembly |
|-----------|-----------|----------------|-------------------|
| *         | B404 5182 | NCU Board - NA | 1                 |
| *         | B404 5184 | NCU Board (EU) | 1                 |
| 101       | 1002 0307 | Jumper Wire    |                   |

| Index No. | Part No.  | Description                             | Q'ty Per Assembly |
|-----------|-----------|---|-------------------|
| 102       | 1102 8544 | Connector 1-353297-3                    |                   |
| 103       | 1102 8577 | Connector A36-006-4910J                 |                   |
| 104       | 1208 1438 | Relay - EC2-5ND                         |                   |
| 105       | 1400 0826 | Transistor - 2SA1776                    |                   |
| 106       | 1400 0834 | Transistor - 2SC4620Q                   |                   |
| 107       | 1400 0844 | Transistor - FMG8A                      |                   |
| 108       | 1402 1336 | Diode - 1SS355                          |                   |
| 109       | 1402 1499 | Diode Udzs5.1b                          |                   |
| 110       | 1403 0598 | Photo Coupler - PS2501-2                |                   |
| 111       | 1403 0791 | Photocoupler - PS2561-1-V               |                   |
| 112       | 1403 0812 | Photocoupler - PS2532-1-V               |                   |
| 113       | 1404 0129 | Varystor - VR - 63B                     |                   |
| 114       | 1404 0283 | Varistor - TNR9G431K                    |                   |
| 115       | 1404 0341 | Varystor - TNR9G101K                    |                   |
| 116       | 1404 0983 | Arrestor - RA-102MS-V7-F(5)             |                   |
| 117       | 1405 0180 | Rectifier - OR5G4B42                    |                   |
| 118       | 1601 5388 | Resistor - 15K $\Omega$ $\pm$ 5% 1W     |                   |
| 119       | 1601 5395 | Resistor - 18 $\Omega$ $\pm$ 5% 1/2W    |                   |
| 120       | 1606 1860 | Capacitor - 0.47 $\mu$ F250V            |                   |
| 121       | 1607 0760 | Coil - TLF9UB302W                       |                   |
| 122       | 1607 1061 | Filter - BLM11P300SPB                   |                   |
| 123       | 1611 8333 | Resistor - 33K $\Omega$ $\pm$ 5% 1/4W   |                   |
| 124       | 1630 3104 | Resistor - 100K $\Omega$ 1/10W $\pm$ 5% |                   |
| 125       | 1630 3151 | Resistor - 150 $\Omega$ $\pm$ 5% 1/10W  |                   |
| 126       | 1630 3180 | Resistor - 18 $\Omega$ $\pm$ 5% 1/10W   |                   |
| 127       | 1630 3361 | Resistor - 360 $\Omega$ $\pm$ 5% 1/10W  |                   |
| 128       | 1633 0000 | Resistor - 0 $\Omega$ 1/10W             |                   |
| 129       | 1633 2002 | Resistor - 20K $\Omega$ $\pm$ 1% 1/10W  |                   |
| 130       | 1633 3901 | Resistor - 3.9 $\Omega$ $\pm$ 1% 1/10W  |                   |
| 131       | 1633 4702 | Resistor - 47K $\Omega$ $\pm$ 1/10W     |                   |
| 132       | 1634 0000 | Resistor - 0 $\Omega$ 1/16W             |                   |
| 133       | 1642 1470 | Capacitor - 47 $\mu$ F $\pm$ 20% 16V    |                   |
| 134       | 1642 5220 | Capacitor - 22 $\mu$ F $\pm$ 20% 50V    |                   |
| 135       | 1642 5229 | Capacitor - 2.2 $\mu$ F $\pm$ 20% 50V   |                   |
| 136       | 1660 8104 | Capacitor - 0.1 $\mu$ F+80-20% 25V      |                   |

## 5.NCU Board EU (B404)

### ARRESTOR

| SYMBOL NO. | INDEX NO. |
|------------|-----------|
| A1         | 119       |

### CAPACITOR

| SYMBOL NO. | INDEX NO. |
|------------|-----------|
| C1         | 142       |
| C2         | 141       |
| C3         | 143       |
| C5         | 126       |
| C6         | 124       |
| C7         | 127       |
| C8         | 145       |
| C9         | 125       |
| C11        | 144       |
| C12        | 146       |

| SYMBOL NO. | INDEX NO. |
|------------|-----------|
| C13        | 146       |

### CONNECTOR

| SYMBOL NO. | INDEX NO. |
|------------|-----------|
| CN1        | 104       |
| CN2        | 105       |
| CN3        | 105       |

### DIODE

| SYMBOL NO. | INDEX NO. |
|------------|-----------|
| D1         | 113       |
| D2         | 113       |
| D3         | 113       |
| D4         | 113       |

### FILTER

| SYMBOL NO. | INDEX NO. |
|------------|-----------|
| FIL1       | 129       |
| FIL2       | 129       |

### JP

| SYMBOL NO. | INDEX NO. |
|------------|-----------|
| JP1        | 101       |
| JP2        | 101       |
| JP3        | 101       |
| JP4        | 101       |
| JP5        | 101       |
| JP6        | 101       |
| JP7        | 101       |
| JP8        | 101       |
| JP9        | 101       |
| JP12       | 101       |

| SYMBOL NO. | INDEX NO. |
|------------|-----------|
| JP13       | 101       |
| JP14       | 101       |
| JP15       | 101       |
| JP16       | 101       |
| JP17       | 101       |
| JP19       | 101       |
| JP20       | 101       |
| JP21       | 101       |
| JP24       | 101       |
| JP26       | 101       |

### DB

| SYMBOL NO. | INDEX NO. |
|------------|-----------|
| DB1        | 120       |

### HIC

| SYMBOL NO. | INDEX NO. |
|------------|-----------|
| HIC1       | 2         |

### JP

| SYMBOL NO. | INDEX NO. |
|------------|-----------|
| JP27       | 101       |
| JP28       | 101       |
| JP31       | 101       |
| JP32       | 101       |

### PC

| SYMBOL NO. | INDEX NO. |
|------------|-----------|
| PC2        | 116       |
| PC3        | 116       |
| PC4        | 115       |

### Q

| SYMBOL NO. | INDEX NO. |
|------------|-----------|
| Q1         | 109       |
| Q3         | 111       |
| Q4         | 110       |
| Q5         | 112       |
| Q6         | 112       |

### RESISTOR

| SYMBOL NO. | INDEX NO. |
|------------|-----------|
| R1         | 122       |
| R2         | 131       |
| R3         | 121       |
| R4         | 132       |
| R5         | 133       |
| R6         | 123       |
| R7         | 134       |
| R8         | 138       |
| R9         | 135       |
| R10        | 136       |

| SYMBOL NO. | INDEX NO. |
|------------|-----------|
| R11        | 135       |
| R13        | 139       |
| R14        | 140       |
| R17        | 137       |

### T

| SYMBOL NO. | INDEX NO. |
|------------|-----------|
| T2         | 1         |

### VARISTOR

| SYMBOL NO. | INDEX NO. |
|------------|-----------|
| V2         | 118       |
| V4         | 117       |
| V7         | 117       |

### L

| SYMBOL NO. | INDEX NO. |
|------------|-----------|
| L1         | 130       |
| L2         | 128       |

### TB

| SYMBOL NO. | INDEX NO. |
|------------|-----------|
| TB1        | 103       |
| (Socket)   | 106       |
| TB2        | 102       |
| TB3        | 102       |
| (Socket)   | 106       |

### RELAY

| SYMBOL NO. | INDEX NO. |
|------------|-----------|
| RY1        | 107       |
| RY2        | 108       |

### ZD

| SYMBOL NO. | INDEX NO. |
|------------|-----------|
| ZD1        | 114       |
| ZD2        | 114       |



## 5.NCU Board EU (B404)



| Index No. | Part No.  | Description             | Q'ty Per Assembly |
|-----------|-----------|-------------------------|-------------------|
| *         | B404 5184 | NCU Board               | 1                 |
| 1         | B404 5772 | Transformer - 14YM5E    | 1                 |
| 2         | H504 7146 | HIC - 220/240V          | 1                 |
| 101       | 1002 0307 | Jumper Wire             |                   |
| 102       | 1102 5943 | Connector - 2P          |                   |
| 103       | 1102 5944 | Connector - 3P          |                   |
| 104       | 1102 8544 | Connector 1-353297-3    |                   |
| 105       | 1102 8577 | Connector A36-006-4910J |                   |
| 106       | 1104 0683 | Socket - IMSA-9206H-GF  |                   |
| 107       | 1208 1437 | Relay - ALD105          |                   |
| 108       | 1208 1438 | Relay - EC2-5ND         |                   |
| 109       | 1400 0576 | Transistor - 2SC3621    |                   |
| 110       | 1400 0769 | Transistor - 2SA1576A   |                   |
| 111       | 1400 0826 | Transistor - 2SA1776    |                   |

| Index No. | Part No.  | Description                                   | Q'ty Per Assembly |
|-----------|-----------|---|-------------------|
| 112       | 1400 0844 | Transistor - FMG8A                            |                   |
| 113       | 1402 1336 | Diode - 1SS355                                |                   |
| 114       | 1402 1499 | Diode - UDZS5.1B                              |                   |
| 115       | 1403 0791 | Photocoupler - PS2561-1-V                     |                   |
| 116       | 1403 0812 | Photocoupler - PS2532-1-V                     |                   |
| 117       | 1404 0283 | Varistor - TNR9G431K                          |                   |
| 118       | 1404 0342 | Varistor - TNR9G121K                          |                   |
| 119       | 1404 0983 | Arrestor - RA-102MS-V7-F(5)                   |                   |
| 120       | 1405 0180 | Rectifier - OR5G4B42                          |                   |
| 121       | 1600 1294 | Resistor - 47 $\Omega$                        |                   |
| 122       | 1601 5299 | Resistor - 100 $\Omega$ $\pm$ 5% 1W           |                   |
| 123       | 1601 5388 | Resistor - 15K $\Omega$ $\pm$ 5% 1W           |                   |
| 124       | 1604 2567 | Capacitor 220 $\mu$ F $\pm$ 20%               |                   |
| 125       | 1605 1190 | Ceramic Capacitor 0.022 $\mu$ F $\pm$ 10% 50V |                   |
| 126       | 1606 1761 | Capacitor - 1.0 $\mu$ F250V                   |                   |
| 127       | 1606 1860 | Capacitor - 0.47 $\mu$ F250V                  |                   |
| 128       | 1607 0760 | Coil - TLF9UB302W                             |                   |
| 129       | 1607 1061 | Filter - BLM11P300SPB                         |                   |
| 130       | 1607 1083 | Coil - ELF1010SKI-332J                        |                   |
| 131       | 1611 7120 | Resistor - 12 $\Omega$ $\pm$ 5% 1/4W          |                   |
| 132       | 1611 7130 | Resistor - 13 $\Omega$ $\pm$ 5% 1/4W          |                   |
| 133       | 1611 8103 | Resistor - 10K $\Omega$ $\pm$ 5% 1/4W         |                   |
| 134       | 1611 8203 | Resistor - 20k $\Omega$ $\pm$ 5% 1/4W         |                   |
| 135       | 1630 3361 | Resistor - 360 $\Omega$ $\pm$ 5% 1/10W        |                   |
| 136       | 1633 1102 | Resistor - 11k $\Omega$ $\pm$ 1% 1/10W        |                   |
| 137       | 1633 1602 | Resistor - 16K $\Omega$ $\pm$ 1% 1/4W         |                   |
| 138       | 1633 2201 | Resistor - 2.2 $\Omega$ $\pm$ 1% 1/10W        |                   |
| 139       | 1633 3001 | Resistor - 3K $\Omega$ $\pm$ 1% 1/10W         |                   |
| 140       | 1633 7501 | Resistor - 7.5K $\Omega$ $\pm$ 5% 1/10W       |                   |
| 141       | 1642 1470 | Capacitor - 47 $\mu$ F $\pm$ 20% 16V          |                   |
| 142       | 1642 5220 | Capacitor - 22 $\mu$ F $\pm$ 20% 50V          |                   |
| 143       | 1642 5479 | Capacitor - 4.7 $\mu$ F50V                    |                   |
| 144       | 1660 4102 | Capacitor - 1000pF $\pm$ 10% 50V              |                   |
| 145       | 1660 4682 | Capacitor - 6800pF 50V 1608                   |                   |
| 146       | 1660 8104 | Capacitor - 0.1 $\mu$ F+80-20% 25V            |                   |

# Parts Index

## Parts Index

| Part No.  | Description               | Page and Index No. |
|-----------|---------------------------|--------------------|
| B404 1421 | Operation Panel (NA/Asia) | 3- 25              |
| B404 1422 | Operation Panel (EU)      | 3- 25              |
| B404 1451 | Case Fax                  | 3- 8               |
| B404 1452 | Lower Cover               | 3- 12              |
| B404 1453 | Keypad                    | 3- 10              |
| B404 1454 | Fax Key (NA/Asia)         | 3- 7               |
| B404 1455 | Sheet Fax                 | 3- 6               |
| B404 1456 | Sheet Function            | 3- 9               |
| B404 1457 | Pin                       | 3- 24              |
| B404 1458 | Quick Dial Plate Ass'y    | 3- 14              |
| B404 1459 | Decal Dial 01-04          | 3- 19              |
| B404 1460 | Decal Dial 05-08          | 3- 20              |
| B404 1461 | Decal Dial 09-12          | 3- 15              |
| B404 1462 | Decal Dial 13-16          | 3- 16              |
| B404 1463 | Decal Dial 17-20          | 3- 18              |
| B404 1464 | Decal Dial 21-24          | 3- 17              |
| B404 1465 | Decal Dial 25-28          | 3- 21              |
| B404 1466 | Decal Dial 29-32          | 3- 22              |
| B404 1467 | Decal Dial Lower          | 3- 23              |
| B404 1468 | Quick Dial Plate          | 3- 5               |
| B404 1469 | Operation Panel Board     | 3- 11              |
| B404 1471 | Switch Cover (NA/Asia)    | 3- 2               |
| B404 1472 | Right Switch              | 3- 1               |
| B404 1473 | Copy Key (NA/Asia)        | 3- 3               |
| B404 1474 | Operation Panel Harness   | 3- 30              |
| B404 1476 | User Function Key Decal   | 3- 29              |
| B404 1480 | Fax Key (EU)              | 3- 7               |
| B404 1482 | Switch Cover (EU)         | 3- 2               |
| B404 1483 | Copy Key (EU)             | 3- 3               |
| B404 3861 | SG3 Decal                 | 3- 13              |
| B404 5070 | Speaker                   | 5- 10              |
| B404 5162 | FCU Board (NA)            | 9- *               |
| B404 5162 | FCU Board (NA)            | 5- 11              |
| B404 5164 | FCU Board (EU)            | 9- *               |
| B404 5164 | FCU Board (EU)            | 5- 11              |

| Part No.  | Description                              | Page and Index No. |
|-----------|--|--------------------|
| B404 5166 | FCU Board (Asia)                         | 9- *               |
| B404 5166 | FCU Board (Asia)                         | 5- 11              |
| B404 5182 | NCU Board - NA                           | 13- *              |
| B404 5182 | NCU Board - NA                           | 5- 7               |
| B404 5184 | NCU Board (EU)                           | 13- *              |
| B404 5184 | NCU Board (EU)                           | 5- 7               |
| B404 5184 | NCU Board                                | 15- *              |
| B404 5270 | FCU-BICU Harness                         | 5- 3               |
| B404 5271 | FCU-NCU Harness                          | 5- 12              |
| B404 5273 | FCU-PSU Harness                          | 5- 5               |
| B404 5274 | Relay Harness                            | 5- 6               |
| B404 5772 | Transformer - 14YM5E                     | 15- 1              |
| B404 5821 | Handset Bracket                          | 5- 2               |
| B404 5861 | FCU Bracket                              | 5- 9               |
| B404 5862 | Right Flat Cable Plate                   | 5- 1               |
| B404 5863 | Upper Flat Cable Plate                   | 5- 14              |
| B404 5867 | FCU Guide Plate Bracket                  | 5- 8               |
| B404 5872 | NCU Cover (EU)                           | 5- 13              |
| B404 5874 | Flat Cable Bracket                       | 5- 4               |
| B404 8607 | Operation Manual (NA)                    | 3- 26              |
| B404 8608 | Operation Manual (Asia)                  | 3- 26              |
| B404 8657 | Operating Instructions - Advanced (NA)   | 3- 27              |
| B404 8658 | Operating Instructions - Advanced (Asia) | 3- 27              |

| Part No.  | Description         | Page and Index No. |
|-----------|---------------------|--------------------|
| B028 5510 | Face2               | 9- 1               |
| B039 1362 | Main Switch Cover   | 3- 4               |
| H504 7146 | HIC - 220/240V      | 15- 2              |
| H523 5350 | Telephone Cable     | 3- 28              |
| H547 7135 | V.34 Modem R288f-27 | 9- 2               |

| Part No.   | Description                | Page and Index No. |
|------------|----------------------------|--------------------|
| 0451 3006B | Tapping Screw - M3x6       | 3-102              |
| 0451 3006B | Tapping Screw - M3x6       | 5-101              |
| 0451 3008H | Tapping Screw - M3x8       | 3-101              |
| 1002 0307  | Jumper Wire                | 15-101             |
| 1002 0307  | Jumper Wire                | 13-101             |
| 1102 5943  | Connector - 2P             | 15-102             |
| 1102 5943  | Connector - 2P             | 9-101              |
| 1102 5944  | Connector - 3P             | 9-102              |
| 1102 5944  | Connector - 3P             | 15-103             |
| 1102 6114  | Connector - 2P             | 9-103              |
| 1102 7460  | Connector - FH12-50S-0.5SH | 9-104              |
| 1102 8060  | Connector- 1-353520-3      | 9-105              |
| 1102 8079  | Connector - 176125-7       | 9-106              |
| 1102 8544  | Connector 1-353297-3       | 13-102             |
| 1102 8544  | Connector 1-353297-3       | 15-104             |
| 1102 8577  | Connector A36-006-4910J    | 13-103             |
| 1102 8577  | Connector A36-006-4910J    | 15-105             |
| 1104 0683  | Socket - IMSA-9206H-GF     | 9-107              |
| 1104 0683  | Socket - IMSA-9206H-GF     | 15-106             |
| 1105 0046  | Harness Band               | 5-102              |
| 1105 0243  | Wire Saddle                | 5-103              |
| 1204 2373  | Key Bord Switch - SKQDPA   | 9-108              |
| 1206 0082  | Lithium Cell - CR2450-HJ3  | 9-109              |
| 1206 0084  | Lithium Cell - VL2330/1HF  | 9-110              |
| 1208 1437  | Relay - ALD105             | 15-107             |
| 1208 1438  | Relay - EC2-5ND            | 13-104             |
| 1208 1438  | Relay - EC2-5ND            | 15-108             |
| 1400 0398  | Transistor - 2SC2412K      | 9-111              |
| 1400 0576  | Transistor - 2SC3621       | 15-109             |
| 1400 0637  | Transistor - DTC144EUA     | 9-112              |
| 1400 0680  | Transistor - 2SA1813       | 9-113              |
| 1400 0752  | Transistor - FMY6          | 9-114              |
| 1400 0769  | Transistor - 2SA1576A      | 15-110             |
| 1400 0826  | Transistor - 2SA1776       | 15-111             |
| 1400 0826  | Transistor - 2SA1776       | 13-105             |

| Part No.  | Description                 | Page and Index No. |
|-----------|-----------------------------|--------------------|
| 1400 0834 | Transistor - 2SC4620Q       | 13-106             |
| 1400 0844 | Transistor - FMG8A          | 15-112             |
| 1400 0844 | Transistor - FMG8A          | 13-107             |
| 1402 0804 | Silicon Diode - 45V - 0.3A  | 9-115              |
| 1402 1058 | Diode Array - DA114         | 9-116              |
| 1402 1336 | Diode - 1SS355              | 9-117              |
| 1402 1336 | Diode - 1SS355              | 15-113             |
| 1402 1336 | Diode - 1SS355              | 13-108             |
| 1402 1343 | Diode - RB106L-40           | 9-118              |
| 1402 1345 | Diode - UDZ3.6B             | 9-119              |
| 1402 1365 | Diode - RB751V-40           | 9-120              |
| 1402 1499 | Diode Udzs5.1b              | 13-109             |
| 1402 1499 | Diode - UDZS5.1B            | 15-114             |
| 1402 1499 | Diode UDZS5.1B              | 9-121              |
| 1403 0598 | Photo Coupler - PS2501-2    | 13-110             |
| 1403 0791 | Photocoupler - PS2561-1-V   | 13-111             |
| 1403 0791 | Photocoupler - PS2561-1-V   | 15-115             |
| 1403 0812 | Photocoupler - PS2532-1-V   | 15-116             |
| 1403 0812 | Photocoupler - PS2532-1-V   | 13-112             |
| 1403 0953 | LED - SML-310MT             | 9-122              |
| 1403 0996 | LED - SML-310VT             | 9-123              |
| 1404 0129 | Varystor - VR - 63B         | 13-113             |
| 1404 0283 | Varistor - TNR9G431K        | 13-114             |
| 1404 0283 | Varistor - TNR9G431K        | 15-117             |
| 1404 0341 | Varystor - TNR9G101K        | 13-115             |
| 1404 0342 | Varistor - TNR9G121K        | 15-118             |
| 1404 0983 | Arrestor - RA-102MS-V7-F(5) | 15-119             |
| 1404 0983 | Arrestor - RA-102MS-V7-F(5) | 13-116             |
| 1405 0180 | Rectifier - OR5G4B42        | 13-117             |
| 1405 0180 | Rectifier - OR5G4B42        | 15-120             |
| 1407 1878 | IC - TC4053BF               | 9-124              |
| 1407 4651 | IC - TC7S04FU               | 9-125              |
| 1407 4804 | IC - TC7SH08FU              | 9-126              |
| 1407 5353 | IC - SN74LV244APW           | 9-127              |
| 1407 5368 | IC - 74LVC245A TSSOP        | 9-128              |

| Part No.  | Description                                     | Page and Index No. |
|-----------|---|--------------------|
| 1408 0942 | IC - BA4558F                                    | 9-129              |
| 1408 1105 | IC - RH5VL28C                                   | 9-130              |
| 1408 1333 | IC - BA6162F                                    | 9-131              |
| 1408 1416 | IC - RH5RI331B                                  | 9-132              |
| 1408 1448 | Regulator - PQ3DZ13                             | 9-133              |
| 1408 1450 | Operational Amplifier - NJM4560M                | 9-134              |
| 1503 0758 | Oscillator - MC-306 32.768MHZ                   | 9-135              |
| 1503 0906 | Crystal Oscillator - 28.224Mhz                  | 9-136              |
| 1600 1294 | Resistor - 47 $\Omega$                          | 15-121             |
| 1601 5299 | Resistor - 100 $\Omega$ $\pm$ 5% 1W             | 15-122             |
| 1601 5388 | Resistor - 15K $\Omega$ $\pm$ 5% 1W             | 15-123             |
| 1601 5388 | Resistor - 15K $\Omega$ $\pm$ 5% 1W             | 13-118             |
| 1601 5395 | Resistor - 18 $\Omega$ $\pm$ 5% 1/2W            | 13-119             |
| 1601 7752 | Resistor Array - 10K $\Omega$ $\pm$ 5%          | 9-137              |
| 1601 7753 | Resistor - 47 $\Omega$ $\pm$ 5%                 | 9-138              |
| 1601 7867 | Resistor - 33 $\Omega$ $\pm$ 5% 1/16W           | 9-139              |
| 1601 7871 | Resistor - 68 $\Omega$ $\pm$ 5% 1/16W           | 9-140              |
| 1601 7885 | Resistor - 2.7K $\Omega$ $\pm$ 5% 1/16W         | 9-141              |
| 1604 2567 | Capacitor 220 $\mu$ F $\pm$ 20%                 | 15-124             |
| 1604 2601 | Capacitor - 47 $\mu$ F $\pm$ 20% 25V            | 9-142              |
| 1604 4335 | Capacitor - 220 $\mu$ F $\pm$ 20% 10V           | 9-143              |
| 1605 0837 | Capacitor - 30pF $\pm$ 5% 50V                   | 9-144              |
| 1605 1122 | Capacitor - 1Uf +80 -20% 10V                    | 9-145              |
| 1605 1136 | Ceramic Capacitor - 33000pF $\pm$ 10% 25V       | 9-146              |
| 1605 1152 | Ceramic Capacitor - 1000pF $\pm$ 5% 50V         | 9-147              |
| 1605 1162 | Capacitor - 10 $\mu$ F +80 -20% 10V             | 9-148              |
| 1605 1164 | Ceramic Capacitor - 0.1 $\mu$ F $\pm$ 10% 16V   | 9-149              |
| 1605 1167 | Ceramic Capacitor - 0.22 $\mu$ F $\pm$ 10% 10V  | 9-150              |
| 1605 1176 | Ceramic Capacitor - 0.47 $\mu$ F +80 -20% 16V   | 9-151              |
| 1605 1187 | Ceramic Capacitor - 0.047 $\mu$ F $\pm$ 10% 50V | 9-152              |
| 1605 1190 | Ceramic Capacitor 0.022 $\mu$ F $\pm$ 10% 50V   | 15-125             |
| 1605 1190 | Ceramic Capacitor - 0.022 $\mu$ F $\pm$ 10% 50V | 9-153              |
| 1605 1224 | Ceramic Capacitor - 4.7 $\mu$ F $\pm$ 10% 6.3V  | 9-154              |
| 1606 1761 | Capacitor - 1.0 $\mu$ F 250V                    | 15-126             |
| 1606 1860 | Capacitor - 0.47 $\mu$ F 250V                   | 13-120             |

| Part No.  | Description                                 | Page and Index No. |
|-----------|---|--------------------|
| 1606 1860 | Capacitor - 0.47 $\mu$ F 250V               | 15-127             |
| 1606 8042 | Resistor Array - CKCA43CH1H470K             | 9-155              |
| 1607 0732 | Noise Filter - ACF321825-470                | 9-156              |
| 1607 0760 | Coil - TLF9UB302W                           | 13-121             |
| 1607 0760 | Coil - TLF9UB302W                           | 15-128             |
| 1607 0917 | Inductor - LK2125 8R2K                      | 9-157              |
| 1607 0949 | Filter - ACB2012M-040                       | 9-158              |
| 1607 1061 | Filter - BLM11P300SPB                       | 15-129             |
| 1607 1061 | Filter - BLM11P300SPB                       | 13-122             |
| 1607 1083 | Coil - ELF1010SKI-332J                      | 15-130             |
| 1607 1196 | Inductor 220uh $\pm$ 20% 0.33a              | 9-159              |
| 1611 7120 | Resistor - 12 $\Omega$ $\pm$ 5% 1/4W        | 15-131             |
| 1611 7130 | Resistor - 13 $\Omega$ $\pm$ 5% 1/4W        | 15-132             |
| 1611 8103 | Resistor - 10K $\Omega$ $\pm$ 5% 1/4W       | 15-133             |
| 1611 8203 | Resistor - 20k $\Omega$ $\pm$ 5% 1/4W       | 15-134             |
| 1611 8333 | Resistor - 33K $\Omega$ $\pm$ 5% 1/4W       | 13-123             |
| 1630 1681 | Resistor - 680 $\Omega$ $\pm$ 5%            | 9-160              |
| 1630 3104 | Resistor - 100K $\Omega$ 1/10W $\pm$ 5%     | 13-124             |
| 1630 3109 | Resistor - 1 $\Omega$ $\pm$ 5% 1/10W        | 9-161              |
| 1630 3151 | Resistor - 150 $\Omega$ $\pm$ 5% 1/10W      | 13-125             |
| 1630 3180 | Resistor - 18 $\Omega$ $\pm$ 5% 1/10W       | 13-126             |
| 1630 3309 | Resistor - 3 $\Omega$ $\pm$ 5% 1/10W 2125   | 9-162              |
| 1630 3361 | Resistor - 360 $\Omega$ $\pm$ 5% 1/10W      | 13-127             |
| 1630 3361 | Resistor - 360 $\Omega$ $\pm$ 5% 1/10W      | 15-135             |
| 1630 4102 | Resistor - 1.0K $\Omega$ $\pm$ 5% 1/16W     | 9-163              |
| 1630 4105 | Resistor - 1.0M $\Omega$ $\pm$ 5% 1/16W     | 9-164              |
| 1630 4272 | Resistor - 2.7k $\Omega$ - $\pm$ 5% - 1/16W | 9-165              |
| 1630 4330 | Resistor - 33 $\Omega$ $\pm$ 5% 1/8W        | 9-166              |
| 1630 4470 | Resistor - 470 $\Omega$ $\pm$ 5% 1/16W      | 9-167              |
| 1630 4471 | Resistor - 470 $\Omega$ $\pm$ 5% 1/16W      | 9-168              |
| 1630 4562 | Resistor - 5.6k $\Omega$ - $\pm$ 5% - 1/16W | 9-169              |
| 1630 4680 | Resistor - 68 $\Omega$ $\pm$ 5% 1/16W       | 9-170              |
| 1633 0000 | Resistor - 0 $\Omega$ 1/10W                 | 13-128             |
| 1633 0000 | Resistor - 0 $\Omega$ 1/10W                 | 9-171              |
| 1633 1100 | Resistor - 110 $\Omega$ $\pm$ 1% 1/10W      | 9-172              |

| Part No.  | Description                                   | Page and Index No. |
|-----------|---|--------------------|
| 1633 1102 | Resistor - 11k $\Omega$ $\pm$ 1% 1/10W        | 15-136             |
| 1633 1602 | Resistor - 16K $\Omega$ $\pm$ 1% 1/4W         | 15-137             |
| 1633 2002 | Resistor - 20K $\Omega$ $\pm$ 1% 1/10W        | 13-129             |
| 1633 2201 | Resistor - 2.2 $\Omega$ $\pm$ 1% 1/10W        | 15-138             |
| 1633 3001 | Resistor - 3K $\Omega$ $\pm$ 1% 1/10W         | 15-139             |
| 1633 3901 | Resistor - 3.9 $\Omega$ $\pm$ 1% 1/10W        | 13-130             |
| 1633 4702 | Resistor - 47K $\Omega$ $\pm$ 1/10W           | 13-131             |
| 1633 7501 | Resistor - 7.5K $\Omega$ $\pm$ 5% 1/10W       | 15-140             |
| 1634 0000 | Resistor - 0 $\Omega$ 1/16W                   | 9-173              |
| 1634 0000 | Resistor - 0 $\Omega$ 1/16W                   | 13-132             |
| 1634 1000 | Resistor - 100 $\Omega$ $\pm$ 1% 1/16W        | 9-174              |
| 1634 1001 | Resistor - 1K $\Omega$ $\pm$ 5% 1/16W         | 9-175              |
| 1634 1002 | Resistor - 10 $\Omega$ $\pm$ 5% 1/16W         | 9-176              |
| 1634 1003 | Resistor - 100K $\Omega$ $\pm$ 1% 1/16W       | 9-177              |
| 1634 1202 | Resistor - 12.0K $\Omega$ $\pm$ 1% 1/16W      | 9-178              |
| 1634 1243 | Resistor - 124K $\Omega$ $\pm$ 1% 1/16W       | 9-179              |
| 1634 1303 | Resistor - 130k $\Omega$ - $\pm$ 1% - 1/16W   | 9-180              |
| 1634 1402 | Resistor - 14K $\Omega$ $\pm$ 1% 1/16W 1608   | 9-181              |
| 1634 1543 | Resistor - 154k $\Omega$ $\pm$ 1% 1/16W       | 9-182              |
| 1634 1803 | Resistor - 180K $\Omega$ $\pm$ 1% 1/16W       | 9-183              |
| 1634 2001 | Resistor - 2.00K $\Omega$ $\pm$ 1% 1/16W      | 9-184              |
| 1634 2002 | Resistor - 20K $\Omega$ $\pm$ 1% 1/16W        | 9-185              |
| 1634 2202 | Resistor - 22K $\Omega$ $\pm$ 1% 1/16W        | 9-186              |
| 1634 2263 | Resistor - 226K $\Omega$ $\pm$ 1% 1/16W 1608  | 9-187              |
| 1634 2702 | Resistor - 27K $\Omega$ $\pm$ 1% 1/16W        | 9-188              |
| 1634 3092 | Resistor - 30.9K $\Omega$ $\pm$ 1% 1/16W      | 9-189              |
| 1634 3653 | Resistor - 365K $\Omega$ $\pm$ 1% 1/16W 1608  | 9-190              |
| 1634 3900 | Resistor - 390 $\Omega$ $\pm$ 1% 1/16W        | 9-191              |
| 1634 3902 | Resistor - 39.0k $\Omega$ - $\pm$ 1% - 1/16W  | 9-192              |
| 1634 4022 | Resistor - 40.2K $\Omega$ $\pm$ 1% 1/16W      | 9-193              |
| 1634 4122 | Resistor - 41.2k $\Omega$ $\pm$ 1% 1/16W      | 9-194              |
| 1634 4222 | Chip Resistor - 42.2k $\Omega$ $\pm$ 1% 1/16W | 9-195              |
| 1634 4701 | Resistor - 4.70 $\Omega$ $\pm$ 1% 1A16W       | 9-196              |
| 1634 4702 | Resistor - 47.0k $\Omega$ $\pm$ 1% 1/16W      | 9-197              |
| 1634 5600 | Resistor - 560 $\Omega$ $\pm$ 1% 1/16W        | 9-198              |

| Part No.  | Description                                   | Page and Index No. |
|-----------|---|--------------------|
| 1634 5903 | Resistor - 590K $\Omega$ $\pm$ 1% 1/16W 1608  | 9-199              |
| 1634 6192 | Resistor - 61.9 $\Omega$ $\pm$ 1% 1/16W       | 9-200              |
| 1634 6652 | Chip Resistor - 66.5k $\Omega$ $\pm$ 1% 1/16W | 9-201              |
| 1634 7872 | Resistor - 78.7K $\Omega$ $\pm$ 1% 1/16W      | 9-202              |
| 1634 8200 | Resistor - 820 $\Omega$ $\pm$ 1% 1/16W        | 9-203              |
| 1634 8201 | Resistor - 8.2k $\Omega$ $\pm$ 1% 1/16W 1608  | 9-204              |
| 1634 8202 | Resistor - 82.0K $\Omega$ $\pm$ 1% 1/16W      | 9-205              |
| 1634 9761 | Resistor - 9.76K $\Omega$ $\pm$ 1% 1/16W 1608 | 9-206              |
| 1642 1470 | Capacitor - 47 $\mu$ F $\pm$ 20% 16V          | 13-133             |
| 1642 1470 | Capacitor - 47 $\mu$ F $\pm$ 20% 16V          | 15-141             |
| 1642 5220 | Capacitor - 22 $\mu$ F $\pm$ 20% 50V          | 13-134             |
| 1642 5220 | Capacitor - 22 $\mu$ F $\pm$ 20% 50V          | 15-142             |
| 1642 5229 | Capacitor - 2.2 $\mu$ F $\pm$ 20% 50V         | 13-135             |
| 1642 5479 | Capacitor - 4.7 $\mu$ F 50V                   | 15-143             |
| 1644 0100 | Capacitor - 10 $\mu$ F $\pm$ 20% 10V          | 9-207              |
| 1644 0470 | Capacitor - 47 $\mu$ F $\pm$ 20% 10V          | 9-208              |
| 1644 2100 | Capacitor - 10 $\mu$ F $\pm$ 20% 25V          | 9-209              |
| 1644 5100 | Capacitor - 10 $\mu$ F $\pm$ 20% 50V          | 9-210              |
| 1644 5109 | Capacitor - 1mF $\pm$ 20% 50V                 | 9-211              |
| 1644 6101 | Capacitor - 100 $\mu$ F $\pm$ 20% 6.3V        | 9-212              |
| 1660 0100 | Capacitor - 10PF $\pm$ 0.5pF 50V              | 9-213              |
| 1660 2101 | Capacitor - 100pF - $\pm$ 10% - 50V           | 9-214              |
| 1660 2120 | Capacitor - 12 pF $\pm$ 5% 50V                | 9-215              |
| 1660 2121 | Capacitor - 120pF $\pm$ 5% 50V                | 9-216              |
| 1660 2150 | Capacitor - 15pF $\pm$ 5% 50V                 | 9-217              |
| 1660 2181 | Capacitor- 180pF $\pm$ 5% 50v                 | 9-218              |
| 1660 2391 | Capacitor - 390pF $\pm$ 5% 50V                | 9-219              |
| 1660 2470 | Capacitor - 47pF $\pm$ 5% 50V                 | 9-220              |
| 1660 2471 | Capacitor - 470pF - $\pm$ 5% - 50V            | 9-221              |
| 1660 4102 | Capacitor - 1000pF $\pm$ 10% 50V              | 15-144             |
| 1660 4103 | Capacitor - 10000pF 50V                       | 9-222              |
| 1660 4152 | Capacitor - 1500pF $\pm$ 10% 50V              | 9-223              |
| 1660 4332 | Capacitor - 3300pF - $\pm$ 10% - 50V          | 9-224              |
| 1660 4472 | Capacitor - 4700PF $\pm$ 10% 50V              | 9-225              |

| Part No.  | Description                         | Page and Index No. |
|-----------|-------------------------------------|--------------------|
| 1660 4682 | Capacitor - 6800pF 50V 1608         | 15-145             |
| 1660 6103 | Capacitor - 10000pF - +80%-20%50V   | 9-226              |
| 1660 6473 | Capacitor - 47000pF +80,-20% 50V    | 9-227              |
| 1660 8104 | Capacitor - 0.1 $\mu$ F +80-20% 25V | 15-146             |
| 1660 8104 | Capacitor - 0.1 $\mu$ F +80-20% 25V | 13-136             |
| 1660 8104 | Capacitor - 0.1 $\mu$ F +80-20% 25V | 9-228              |
| 1902 0055 | SRAM 1m X8 70ns G15                 | 9-229              |
| 1906 0016 | IC - LH28F160BJE-BTL70              | 9-230              |
| 1906 0027 | Flash Memory - LH28F800BVE-BV70     | 9-231              |
| 1907 0016 | SDRAM 64M 1MX16X4 100Mhz G5         | 9-232              |